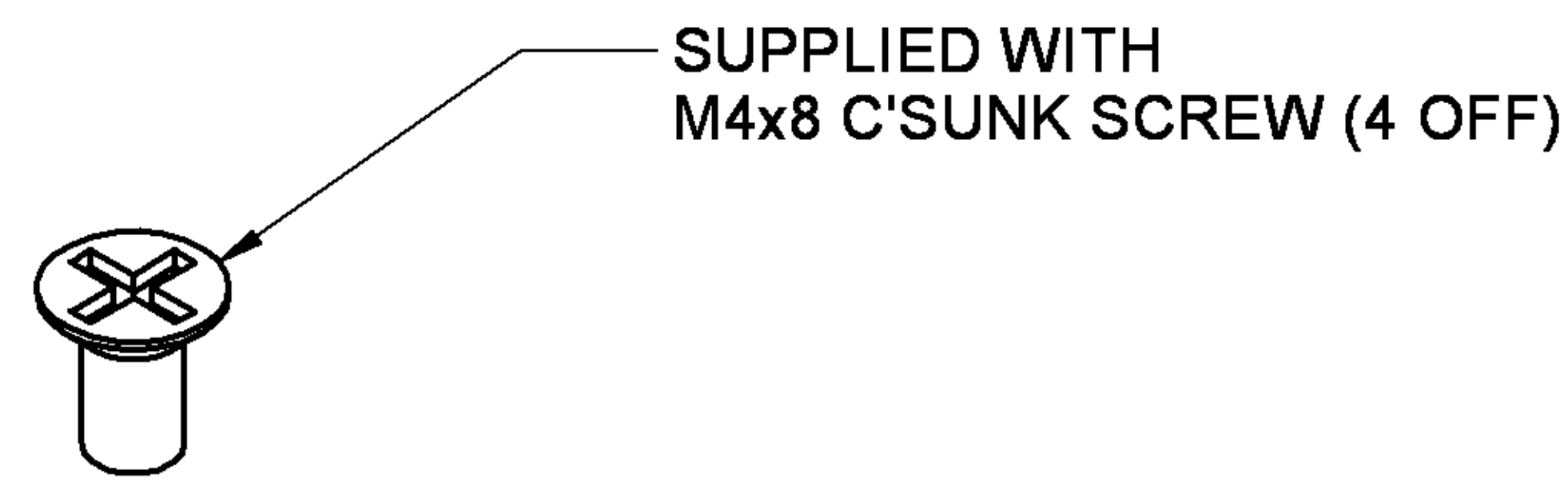
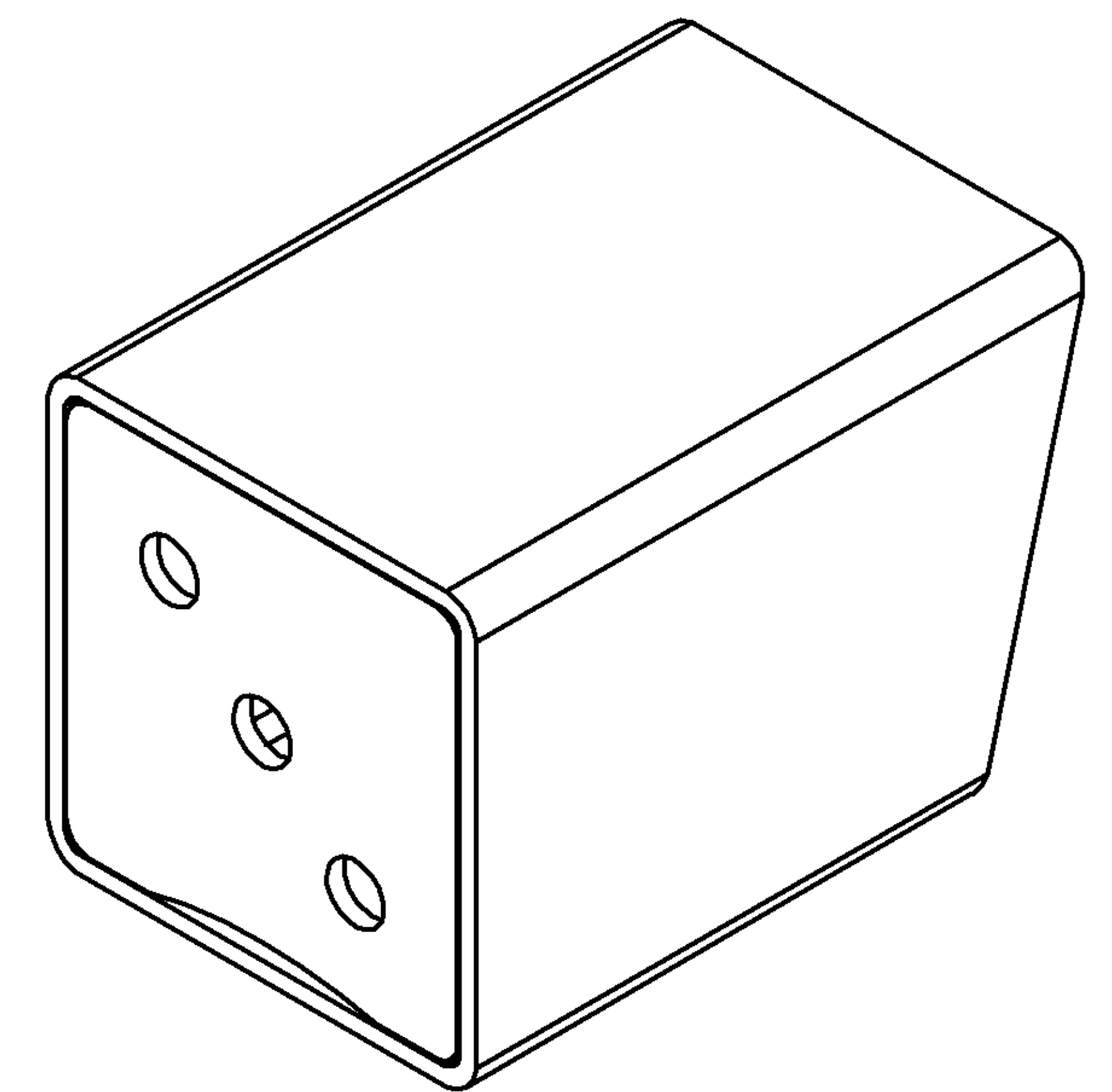
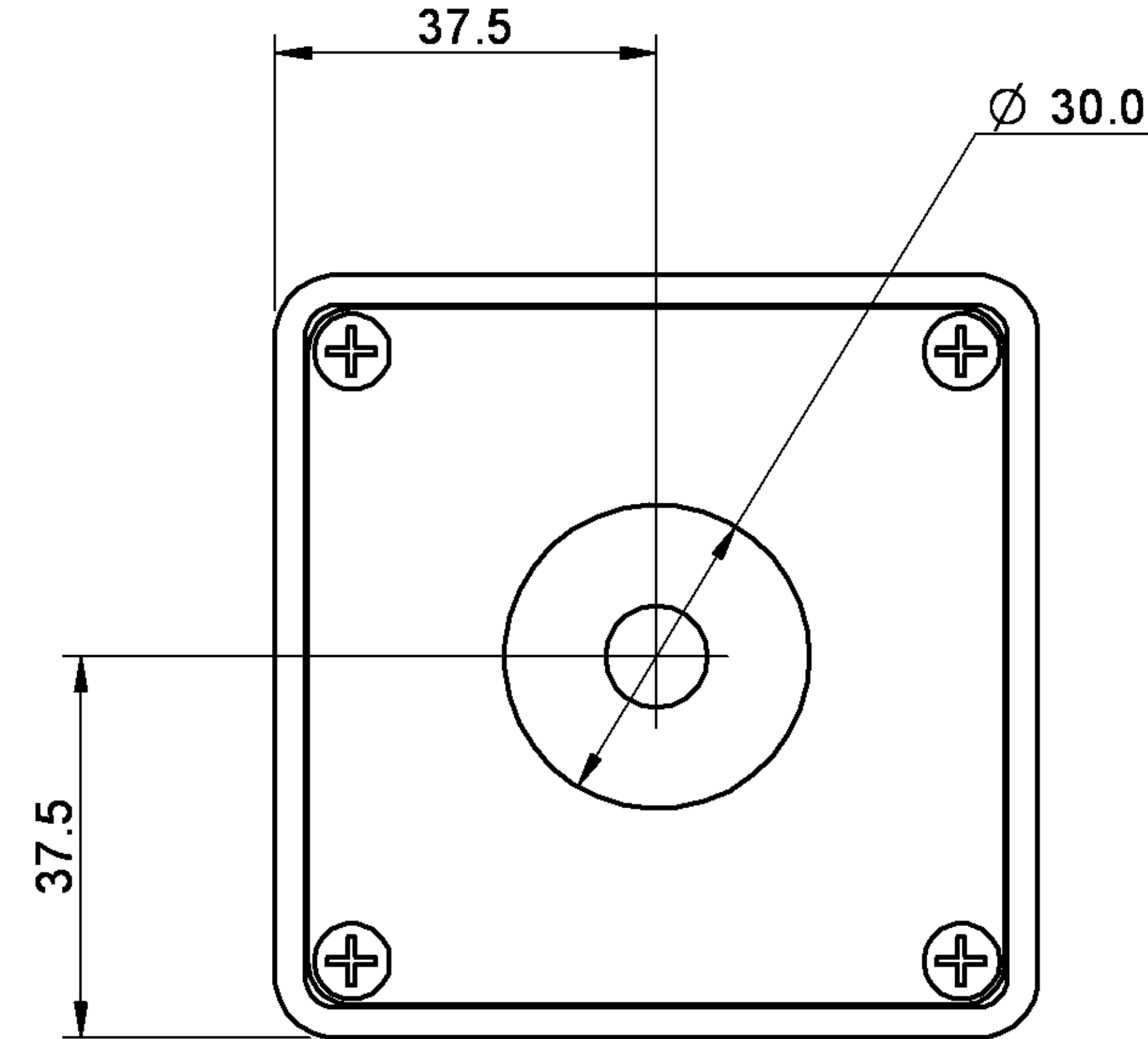
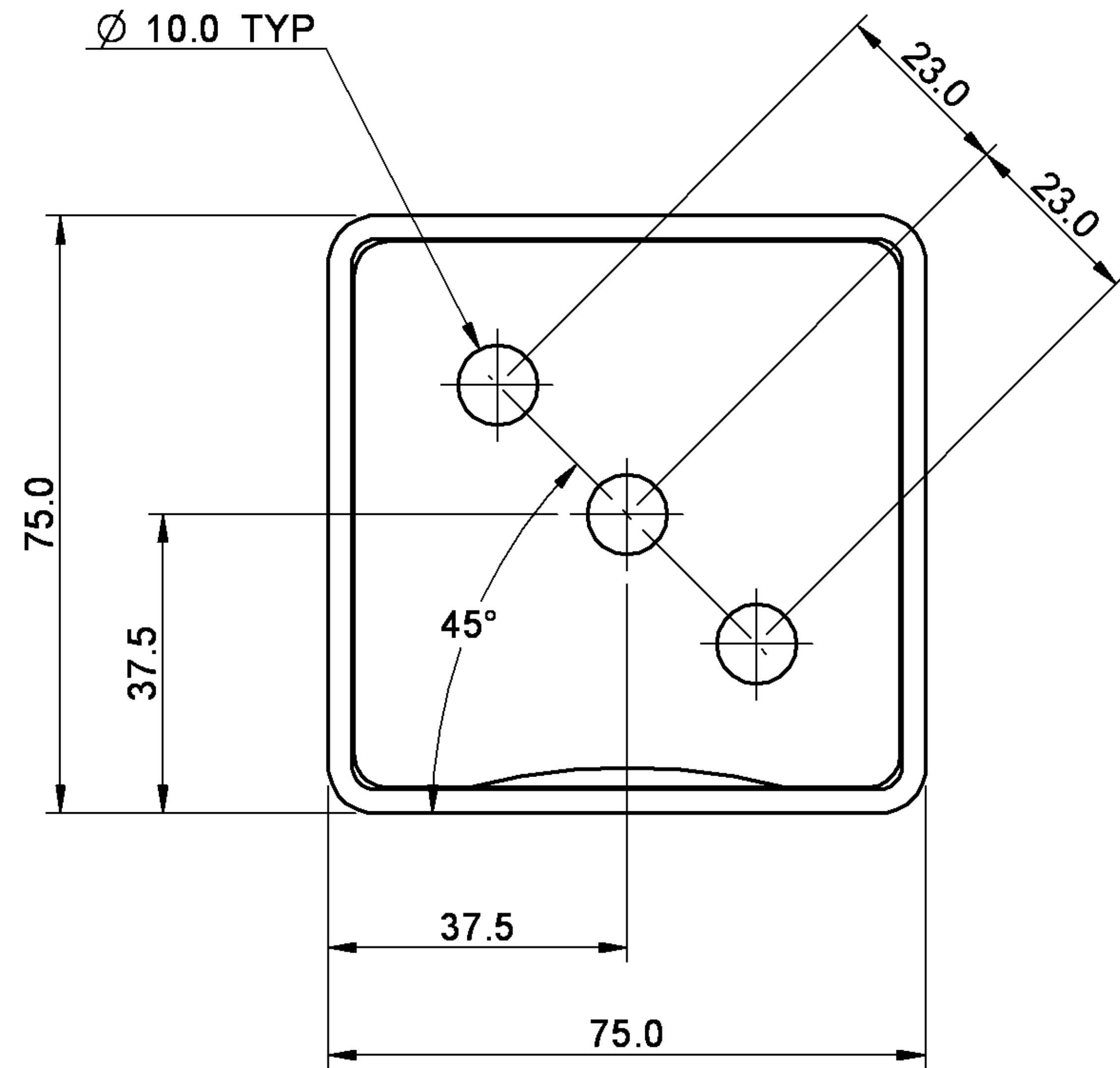


S/S COVER

M4 x 8 SCREW
(4 OFF)



SUPPLIED WITH
M4x8 C'SUNK SCREW (4 OFF)

GENERAL TOLERANCE UNLESS OTHERWISE STATED		PROT.	PROD.	SALES	IND. ENG	ITEM	PART No.	DRG No.	DESCRIPTION		QTY		
LINEAR DIMENSIONS ± 0.5mm		DO NOT SCALE			ADI SECURITY PRODUCTS		SWITCH BOX ASSEMBLY						
ANGULAR DIMENSIONS ± 0.5°		DIMENSIONS IN MILLIMETRES					DRAWN		J.NEAL	DATE	18.10.06	MATERIAL AND FINISH	-
GEOMETRY TOLERANCING TO AS1100		THE DESIGN AND OTHER INFORMATION IS IMPARTED ONLY FOR THE PURPOSE FOR WHICH IT IS SUPPLIED. NO OTHER USE OR ANY REPRODUCTION, COPYING OR COMMUNICATION IS PERMITTED WITHOUT THE WRITTEN PERMISSION OF ADI SECURITY PRODUCTS.			CHECKED			QTY	1 OFF	SCALE	1:1	SB0898	SHEET 1 OF 1 A2
ISS.		C.R.No.	ZONE	AMENDMENTS	BY	DATE	APPROVED	REF	SE18	NEXT ASSY			

ISS.	C.R.No.	ZONE	AMENDMENTS	BY	DATE
0	-	-	NEW ISSUE	JN	31/10/06