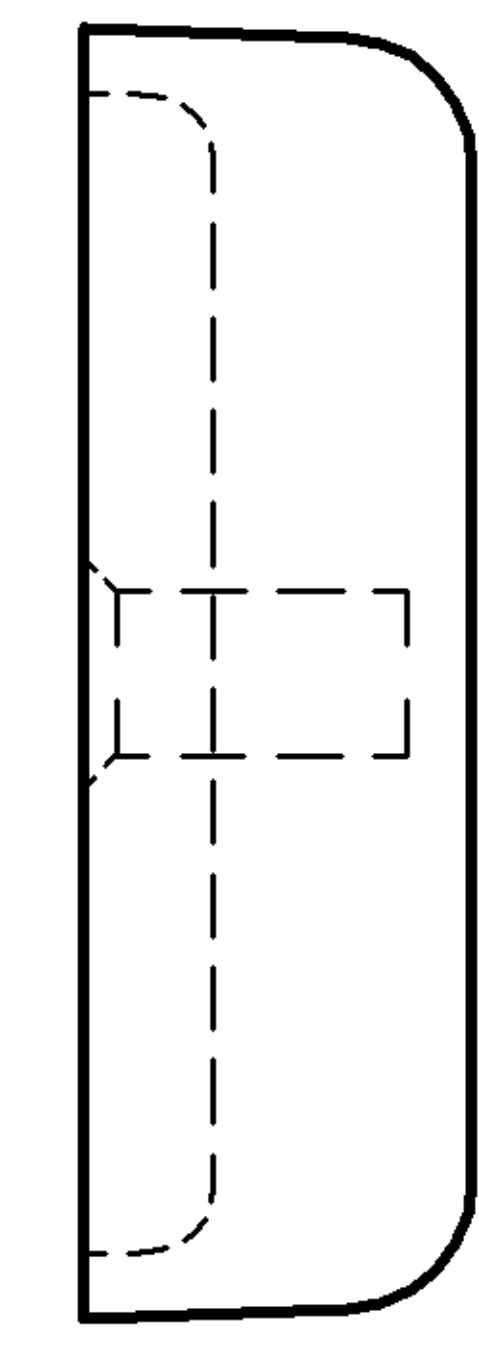
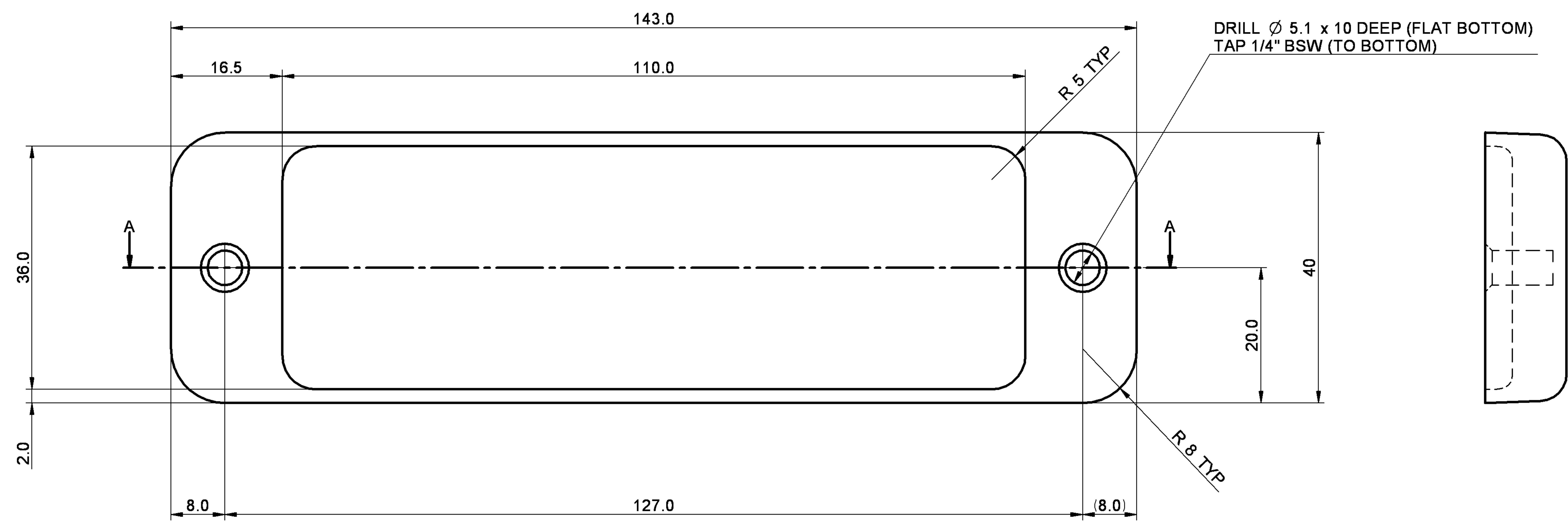
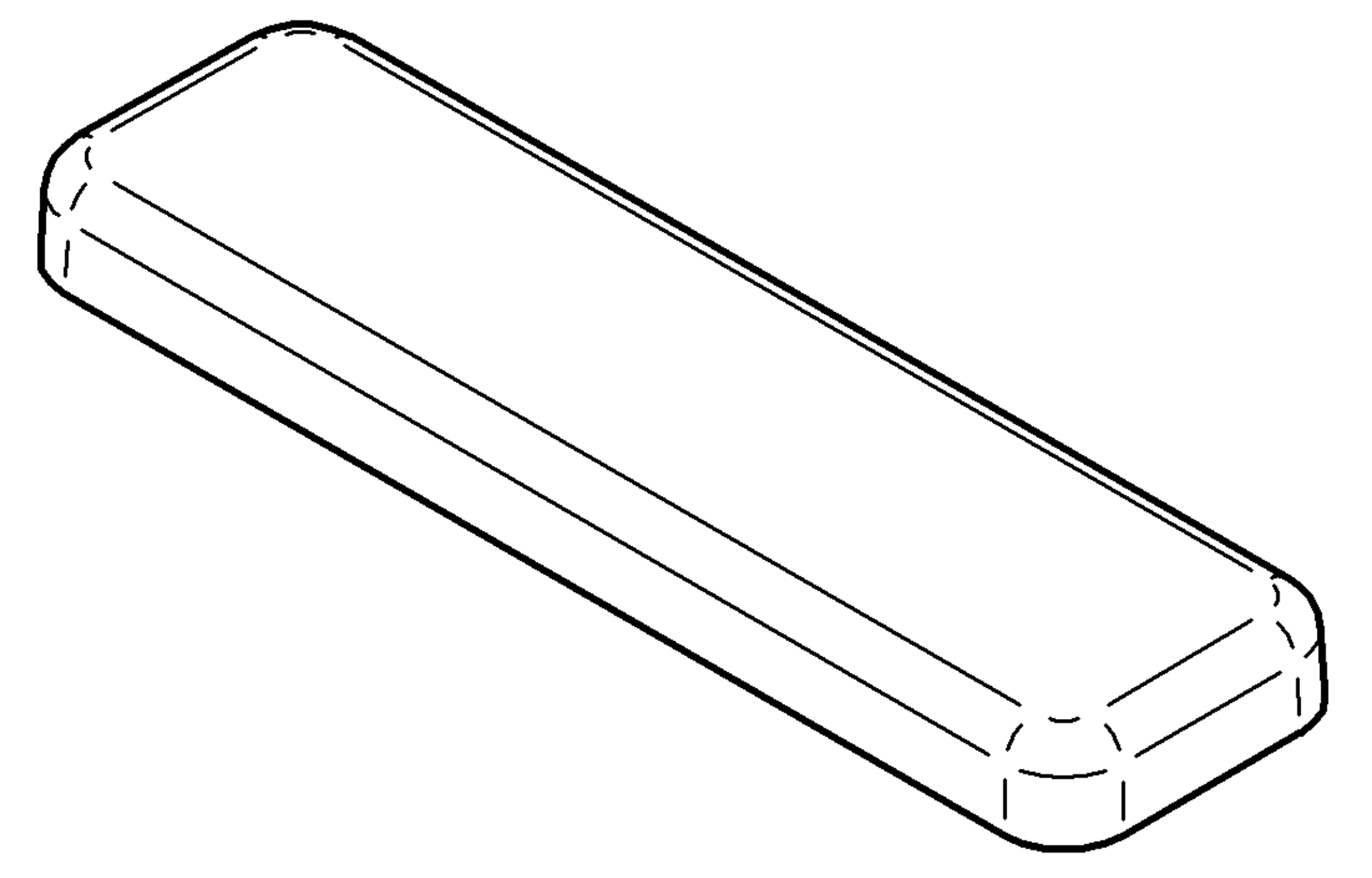
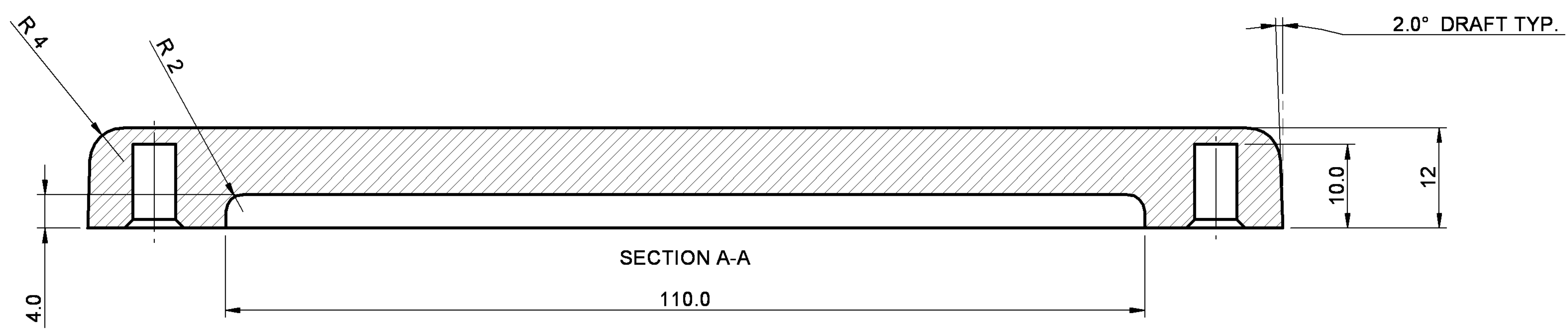


1 2 3 4 5 6 7 8



MATERIAL: ZINC DIE CAST

GENERAL TOLERANCE UNLESS OTHERWISE STATED		PROT.	PROD.	SALES	IND. ENG	ITEM	PART No.	DRG No.	DESCRIPTION	QTY	
LINEAR DIMENSIONS ± 0.1mm						DO NOT SCALE		<b>ADI</b> SECURITY PRODUCTS		CONCEALED FIXING PLATE BOLT LOCK	
ANGULAR DIMENSIONS ± 0.5°		© ADI SECURITY PRODUCTS				DIMENSIONS IN MILLIMETRES		DRAWN J.NEAL DATE 5.08.05		MATERIAL AND FINISH	
GEOMETRY TOLERANCING TO AS1100		THE DESIGN AND OTHER INFORMATION IS IMPARTED ONLY FOR THE PURPOSE FOR WHICH IT IS SUPPLIED. NO OTHER USE OR ANY REPRODUCTION, COPYING OR COMMUNICATION IS PERMITTED WITHOUT THE WRITTEN PERMISSION OF ADI SECURITY PRODUCTS.				CHECKED	QTY	1 OFF	SCALE	2:1	ADI-BL-1-011
ISS.	C.R.No.	ZONE	AMENDMENTS	BY	DATE	APPROVED	REF	SE17	NEXT ASSY		SHEET 1 OF 1 A2
0	-	-	NEW ISSUE	JN	5/08/05						

1 2 3 4 5 6 7 8