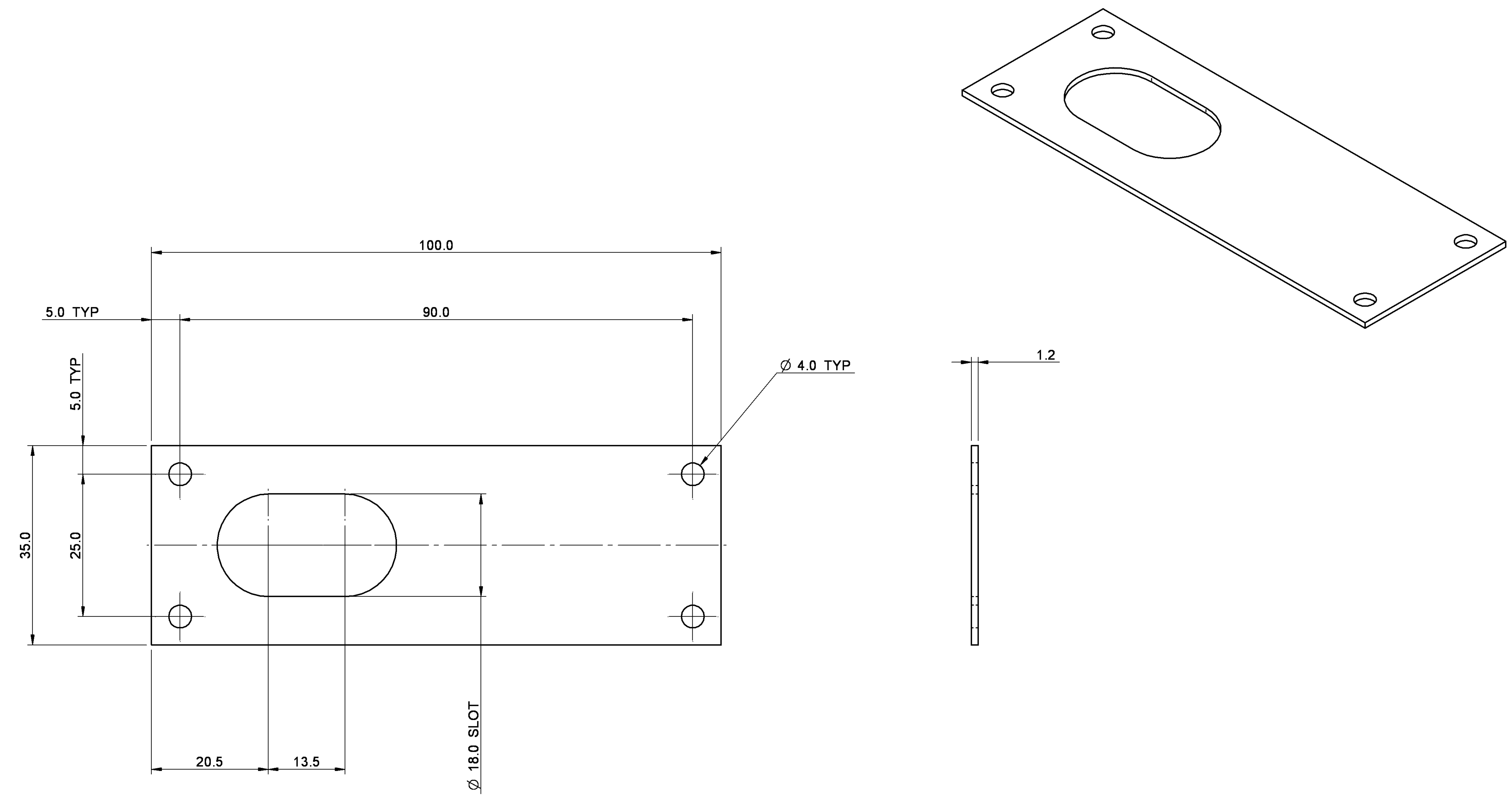


1 2 3 4 5 6 7 8

A B C D E F



GENERAL TOLERANCE UNLESS OTHERWISE STATED		PROT.	PROD.	SALES	IND. ENG	ITEM	PART No.	DRG No.	DESCRIPTION		QTY		
LINEAR DIMENSIONS $\pm 0.5\text{mm}$		DO NOT SCALE				ADI SECURITY PRODUCTS		S/S PLATE					
ANGULAR DIMENSIONS $\pm 0.5^\circ$		DIMENSIONS IN MILLIMETRES											
GEOMETRY TOLERANCING TO AS1100		© ADI SECURITY PRODUCTS				DRAWN	J.NEAL	DATE	25.10.06	MATERIAL AND FINISH		-	
ISS.	C.R.No.	ZONE	AMENDMENTS	BY	DATE	CHECKED		QTY	1 OFF	SCALE	2:1	PP-CYL-1-2SSS	SHEET 1 OF 1
0	-	-	NEW ISSUE	JN	25/10/06	APPROVED		REF	SE18	NEXT ASSY			A2

1 2 3 4 5 6 7 8