

1 2 3 4 5 6 7 8

A

B

C

D

E

F

A

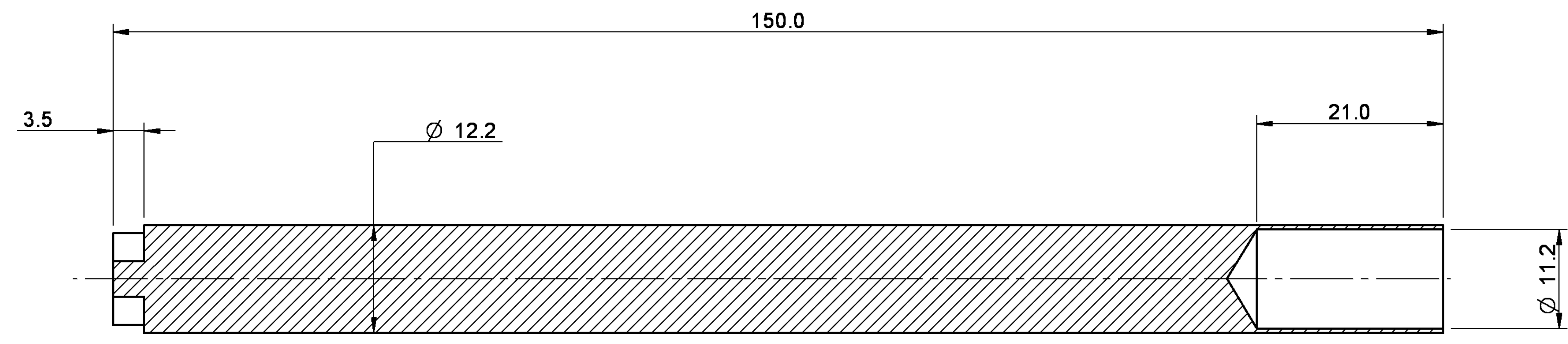
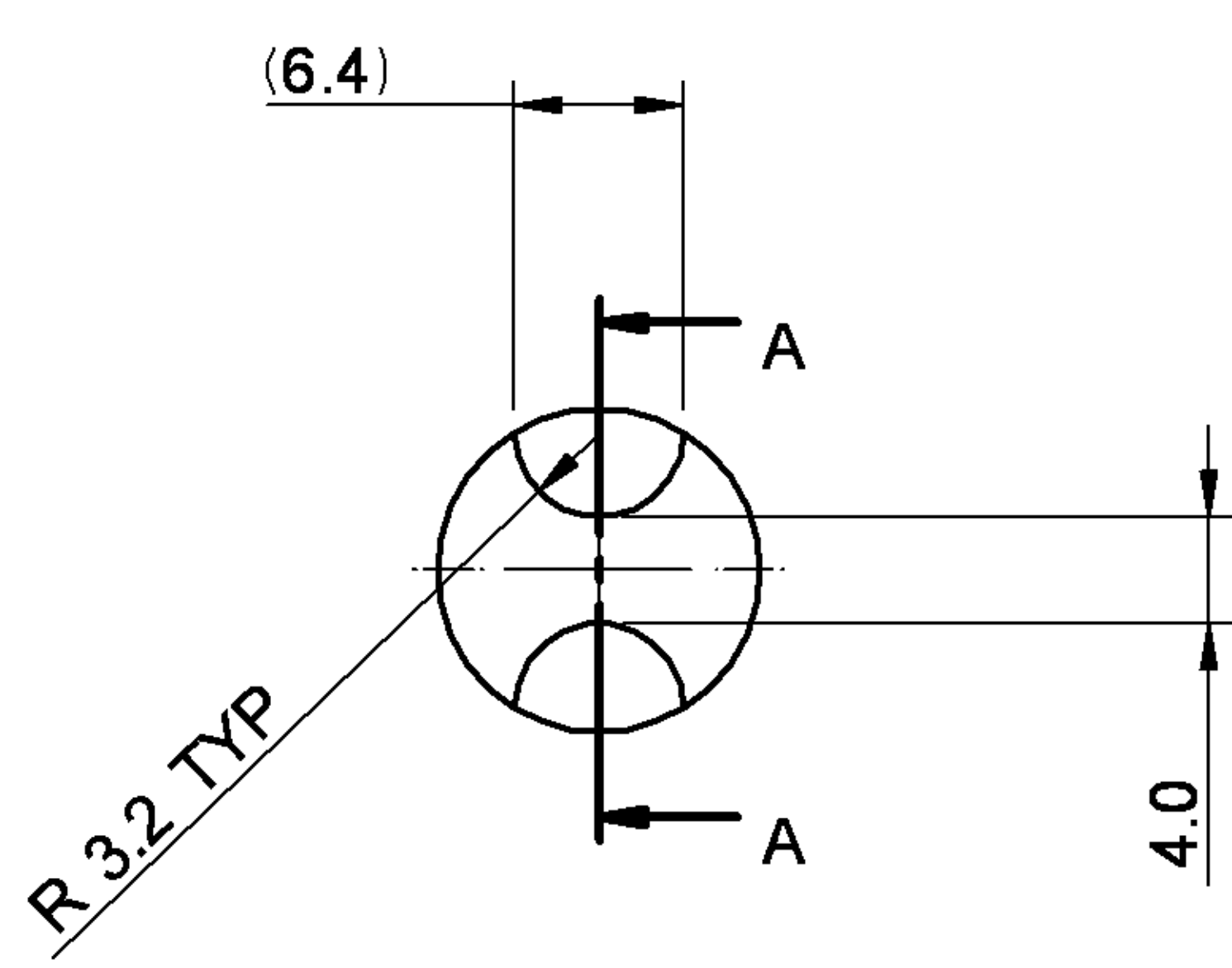
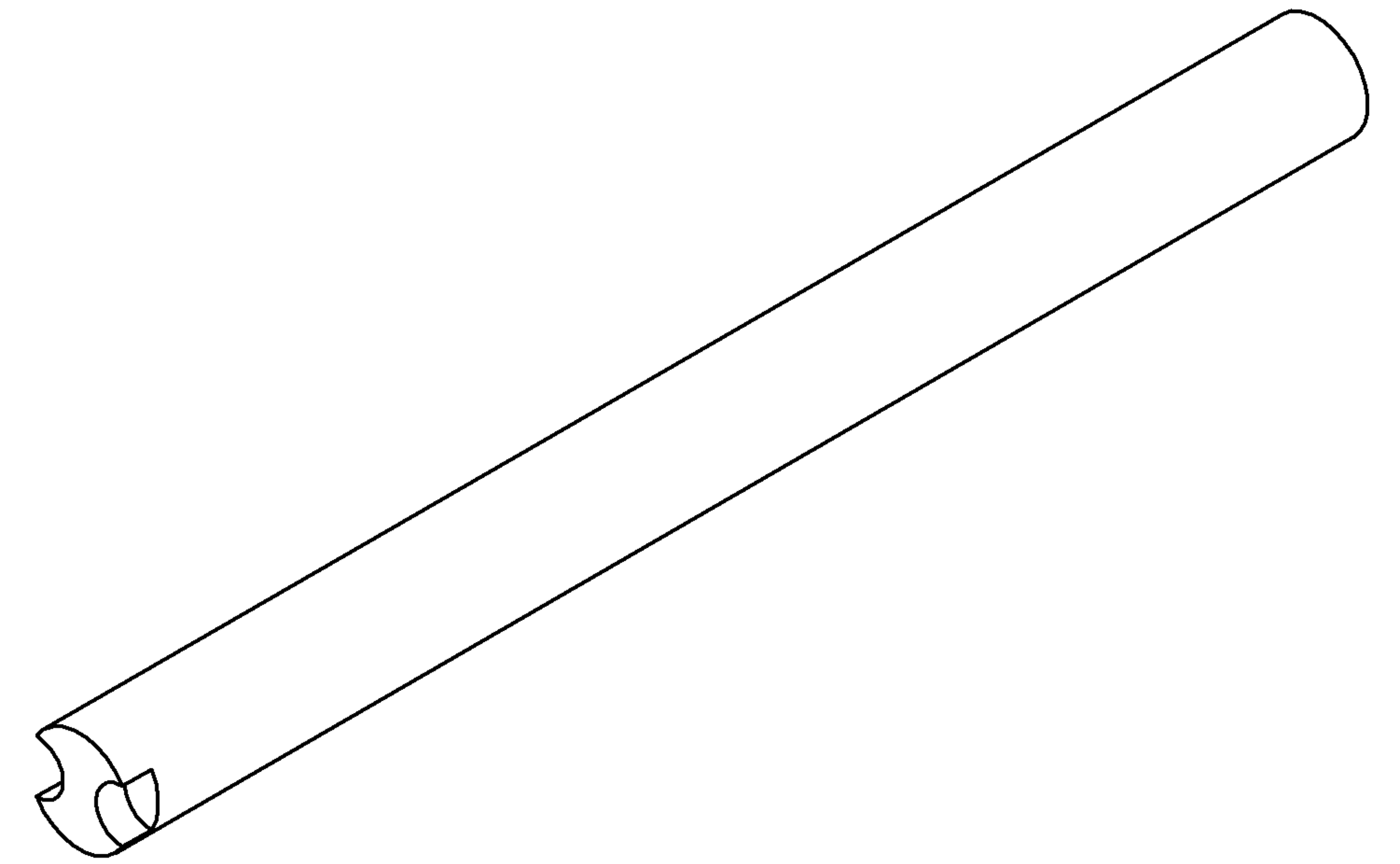
B

C

D

E

F



SECTION A-A

GENERAL TOLERANCE UNLESS OTHERWISE STATED		PROT.	PROD.	SALES	IND. ENG	ITEM	PART No.	DRG No.	DESCRIPTION	QTY	
LINEAR DIMENSIONS ± 0.5mm						ADI SECURITY PRODUCTS		DESCRIPTION			PNF1 PNF1 SHEET 1 OF 1 A2
ANGULAR DIMENSIONS ± 0.5°								DIMENSIONS IN MILLIMETRES		MATERIAL AND FINISH ACETAL	
GEOMETRY TOLERANCING TO AS1100		© ADI SECURITY PRODUCTS THE DESIGN AND OTHER INFORMATION IS IMPARTED ONLY FOR THE PURPOSE FOR WHICH IT IS SUPPLIED. NO OTHER USE OR ANY REPRODUCTION, COPYING OR COMMUNICATION IS PERMITTED WITHOUT THE WRITTEN PERMISSION OF ADI SECURITY PRODUCTS.				DRAWN J.NEAL	DATE 27.10.06	MATERIAL AND FINISH ACETAL	SCALE 2:1	DESCRIPTION PNF1	QTY 1 OFF
ISS.	C.R.No.	ZONE	AMENDMENTS	BY	DATE	APPROVED	REF	SE18	NEXT ASSY		

1 2 3 4 5 6 7 8