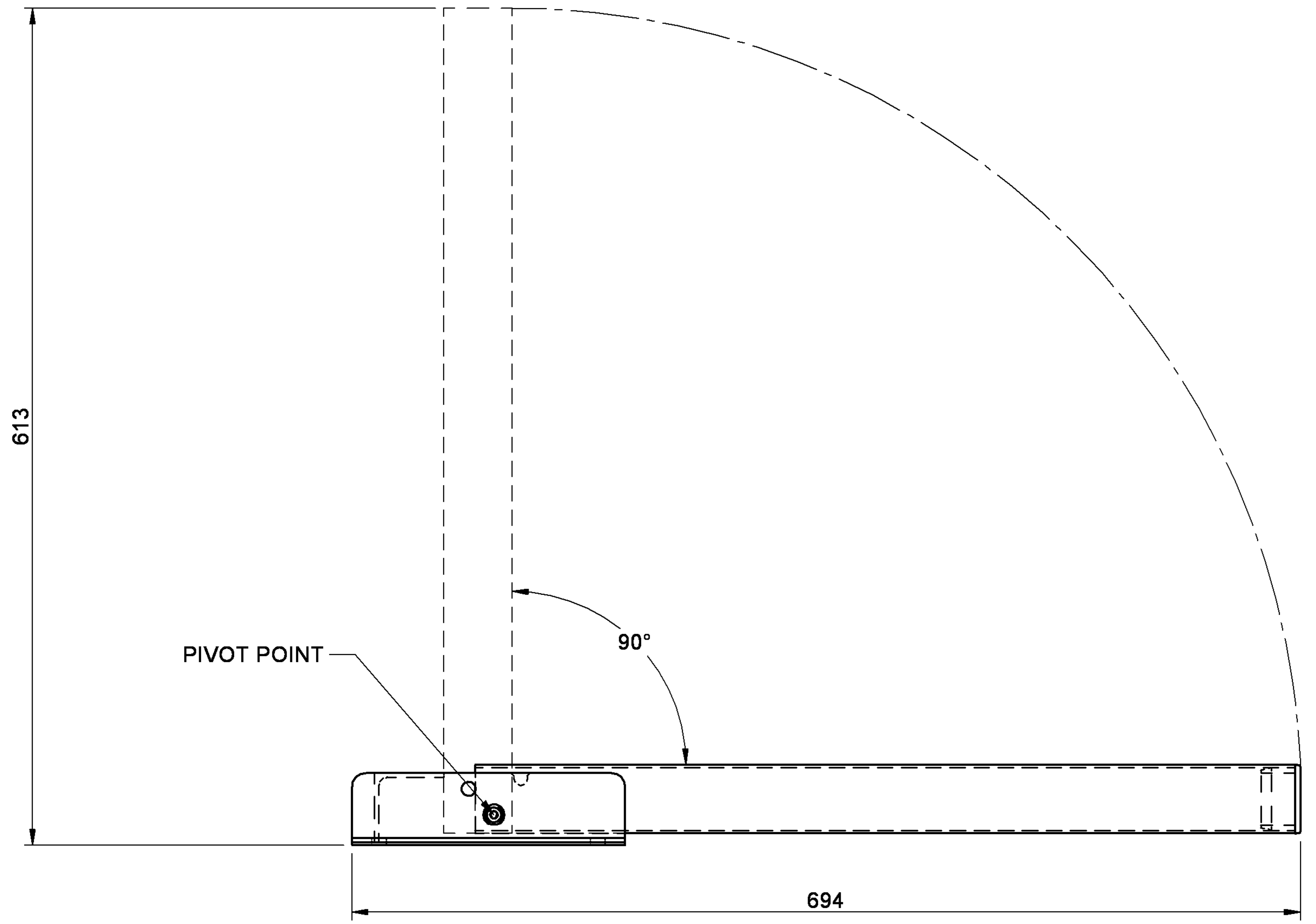
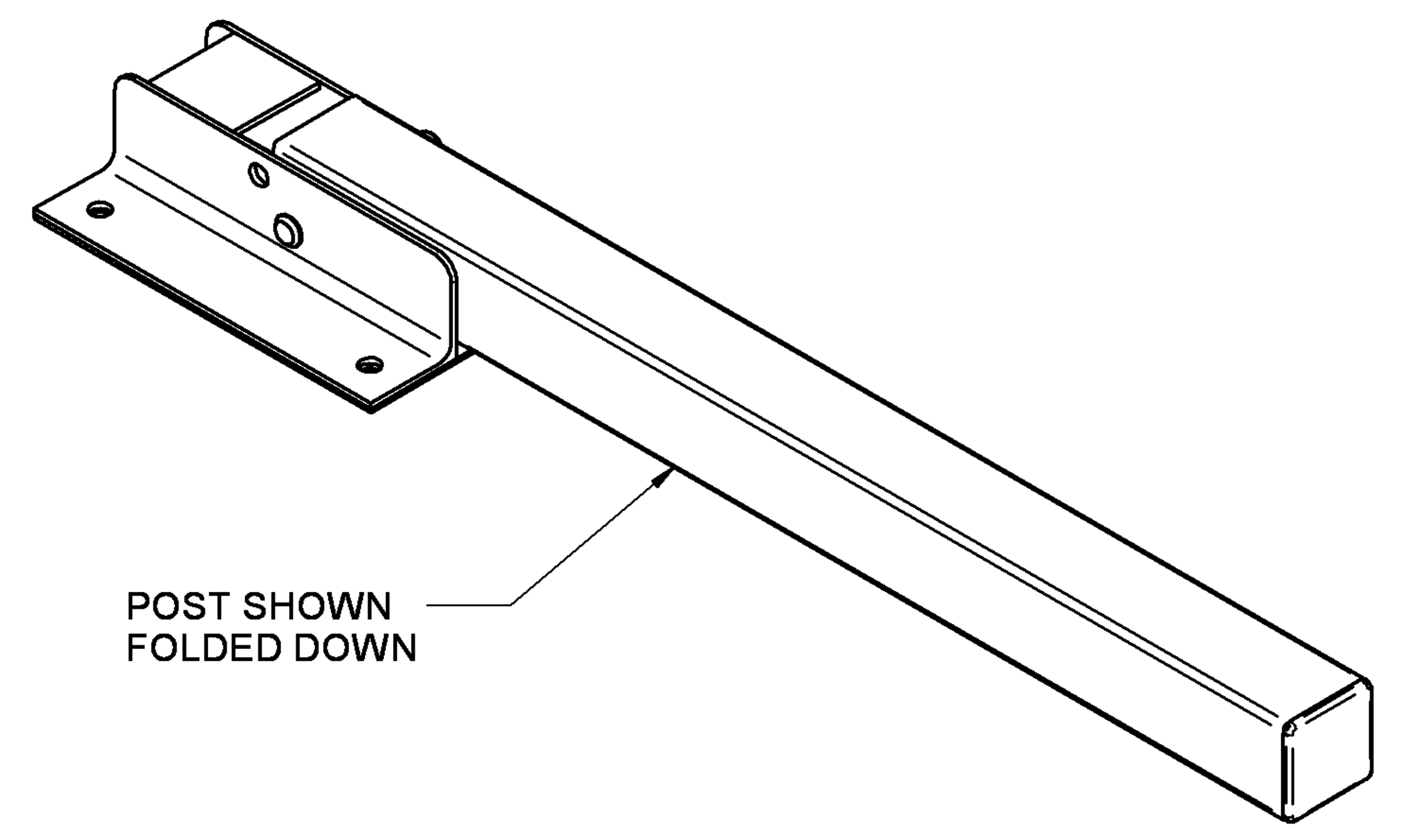
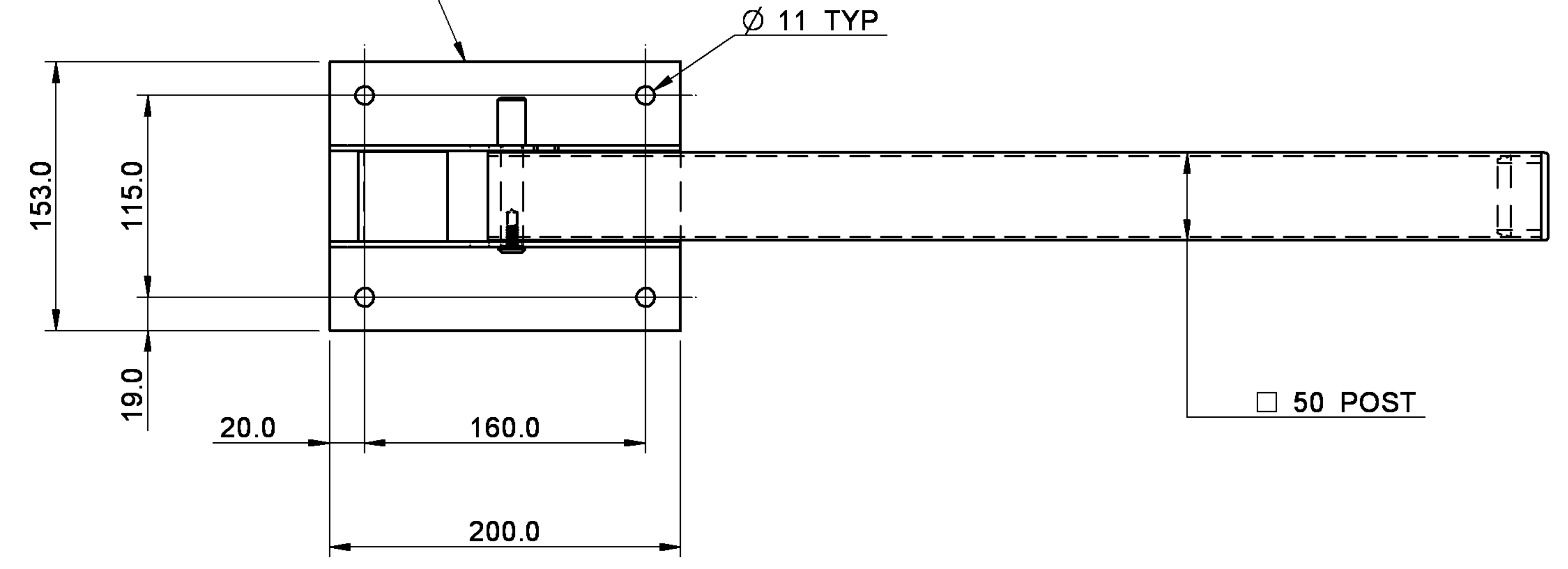
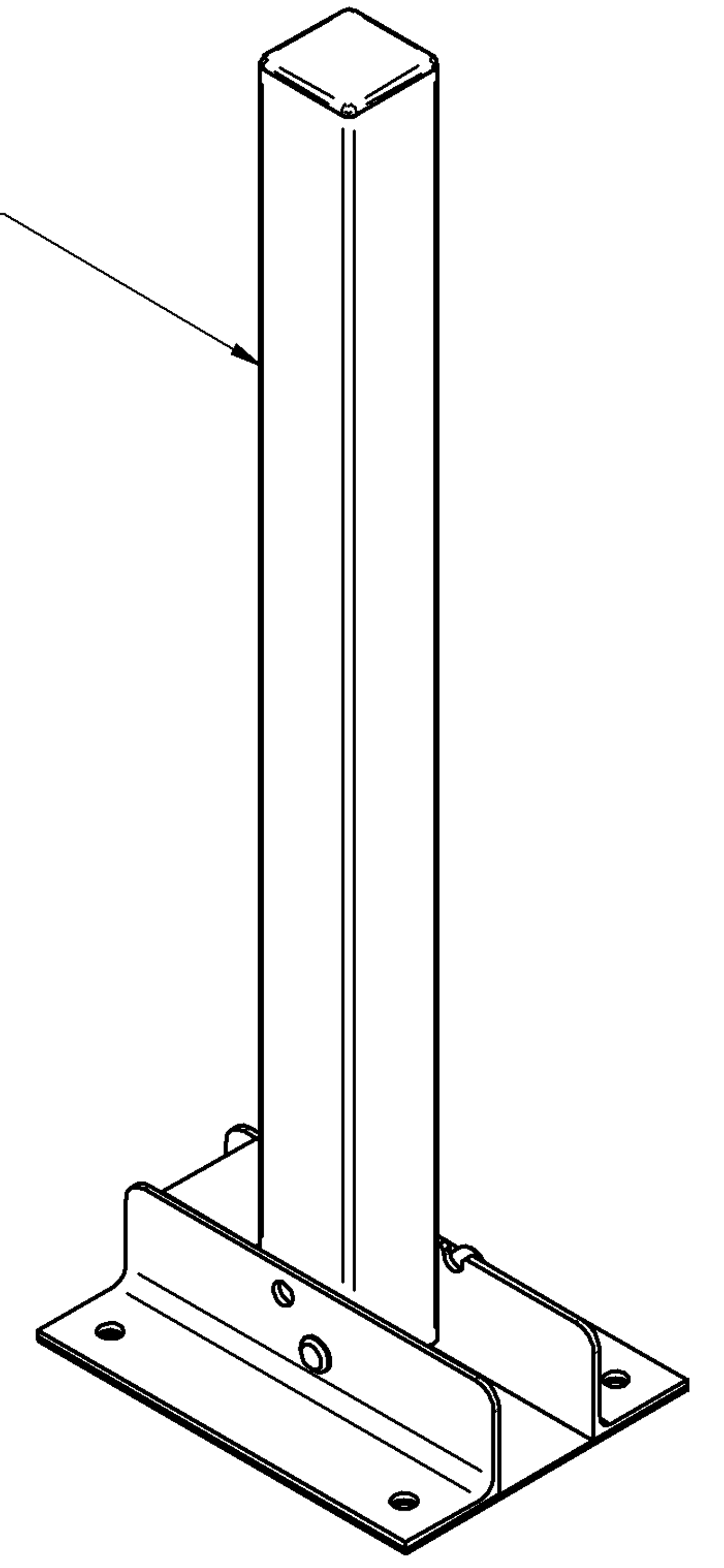


MOUNTING BASEPLATE



POST SHOWN IN UPRIGHT POSITION



GENERAL TOLERANCE UNLESS OTHERWISE STATED		PROT.	PROD.	SALES	IND. ENG	ITEM	PART No.	DRG No.	DESCRIPTION	QTY	
LINEAR DIMENSIONS ± 0.5mm						DO NOT SCALE		ADI SECURITY PRODUCTS		PARKING POST GENERAL ASSEMBLY	
ANGULAR DIMENSIONS ± 0.5°						DIMENSIONS IN MILLIMETRES					
GEOMETRY TOLERANCING TO AS1100						© ADI SECURITY PRODUCTS		DRAWN J.NEAL CHECKED APPROVED	DATE 27.10.06 QTY 1 OFF REF SE18	MATERIAL AND FINISH 3MM M.S. SCALE NTS NEXT ASSY	SHEET 1 OF 1 A2

ISS.	C.R.No.	ZONE	AMENDMENTS	BY	DATE
0	-	-	NEW ISSUE	JN	27/10/06