

1 2 3 4 5 6 7 8

A

A

B

B

C

C

D

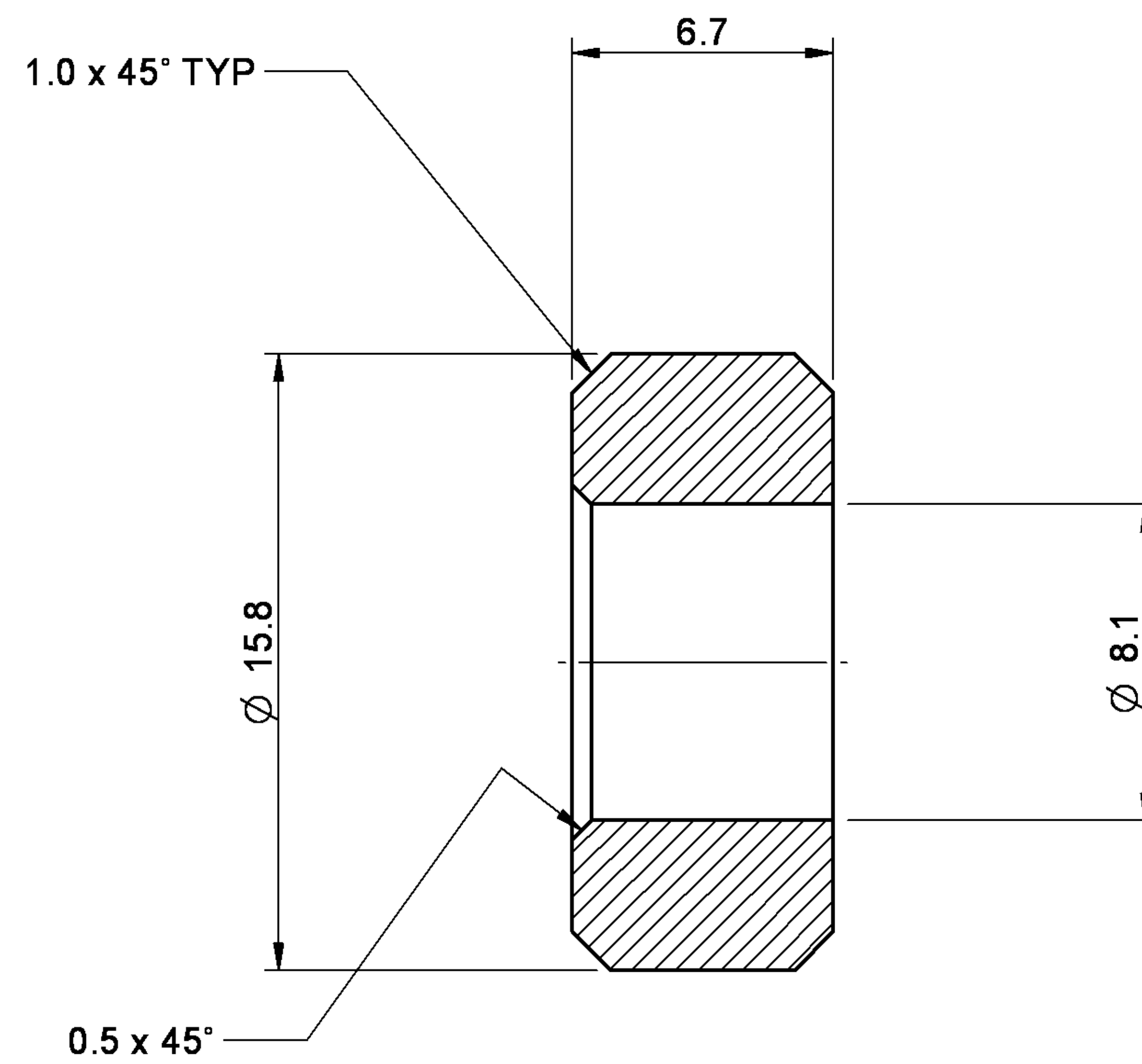
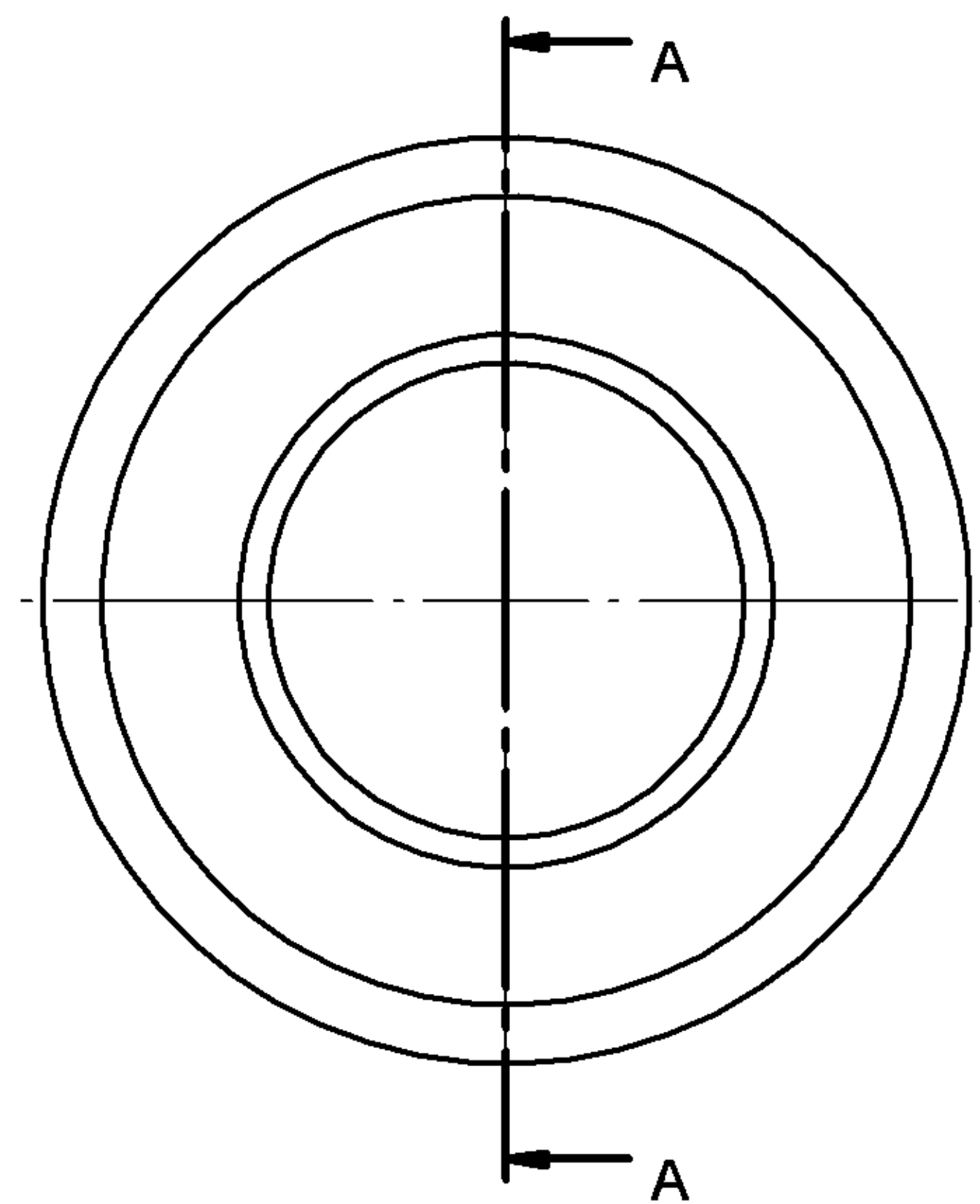
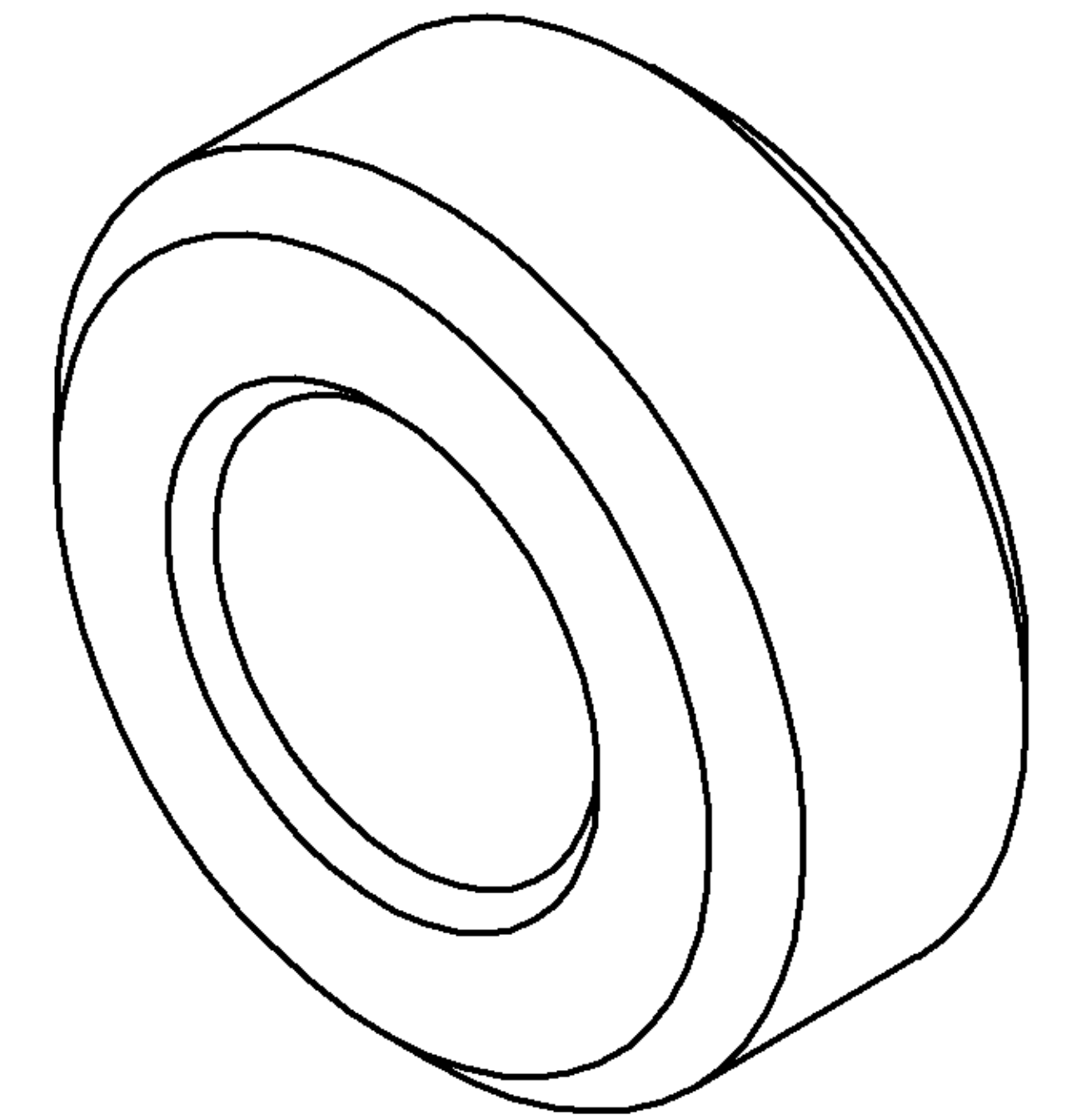
D

E

E

F

F



SECTION A-A

0	-	-	NEW ISSUE	JN	26/10/06
ISS.	C.R.No.	ZONE	AMENDMENTS	BY	DATE

GENERAL TOLERANCE UNLESS OTHERWISE STATED	PROT.	PROD.	SALES	IND. ENG.	ITEM	PART No.	DRG No.	DESCRIPTION		QTY	
					<b>ADI SECURITY PRODUCTS</b>			COLLAR 3			
	LINEAR DIMENSIONS ± 0.5mm ANGULAR DIMENSIONS ± 0.5°				DIMENSIONS IN MILLIMETRES © ADI SECURITY PRODUCTS			DRAWN J.NEAL DATE 26.10.06		MATERIAL AND FINISH -	
GEOMETRY TOLERANCING TO AS1100 <small>THE DESIGN AND OTHER INFORMATION IS IMPARTED ONLY FOR THE PURPOSE FOR WHICH IT IS SUPPLIED. NO OTHER USE OR ANY REPRODUCTION, COPYING OR COMMUNICATION IS PERMITTED WITHOUT THE WRITTEN PERMISSION OF ADI SECURITY PRODUCTS.</small>					CHECKED		QTY	1 OFF	SCALE	2:1	FCOL3 SHEET 1 OF 1 A2
					APPROVED		REF	SE18	NEXT ASSY		

1 2 3 4 5 6 7 8