

1 2 3 4 5 6 7 8

A

A

B

B

C

C

D

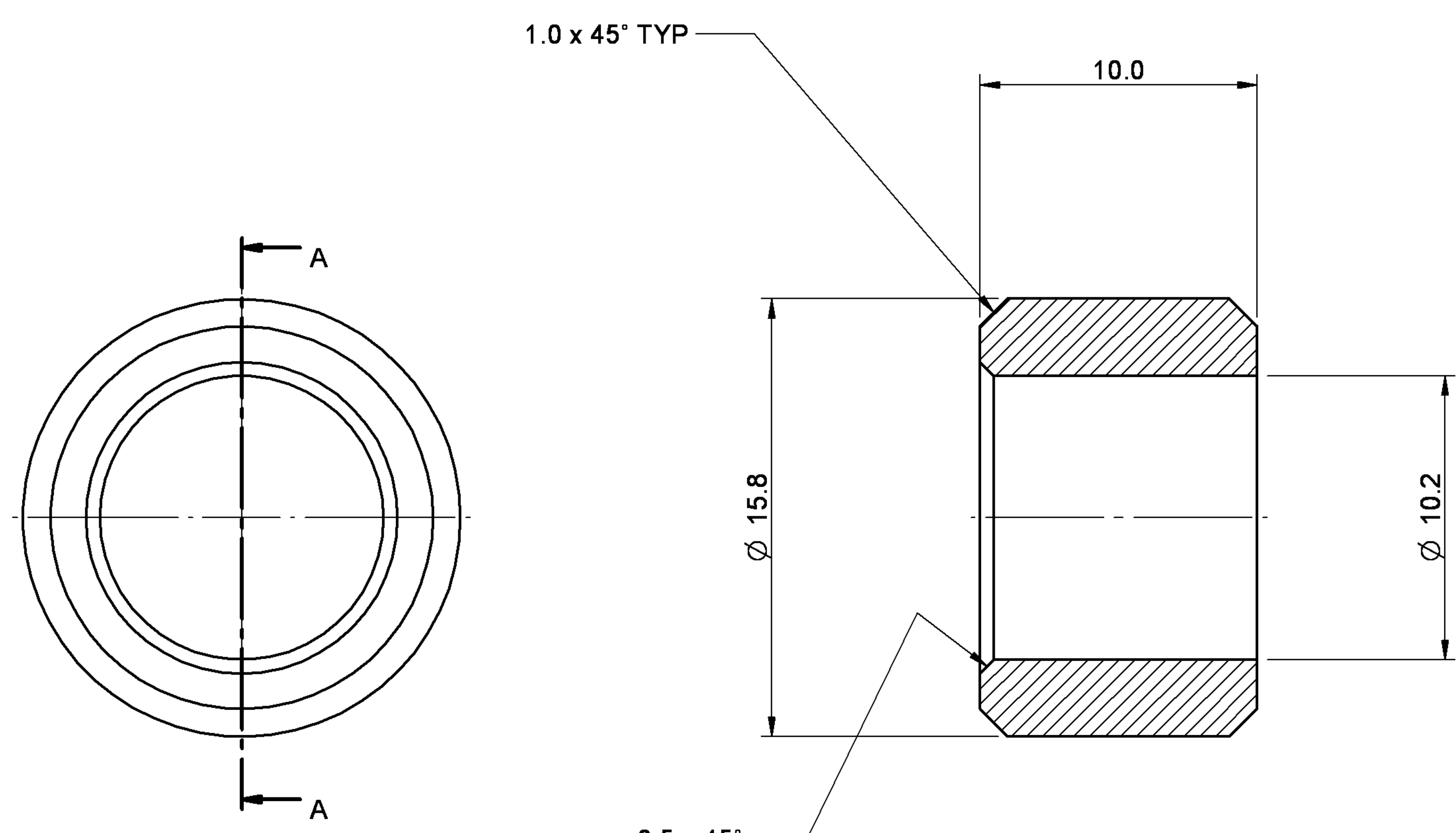
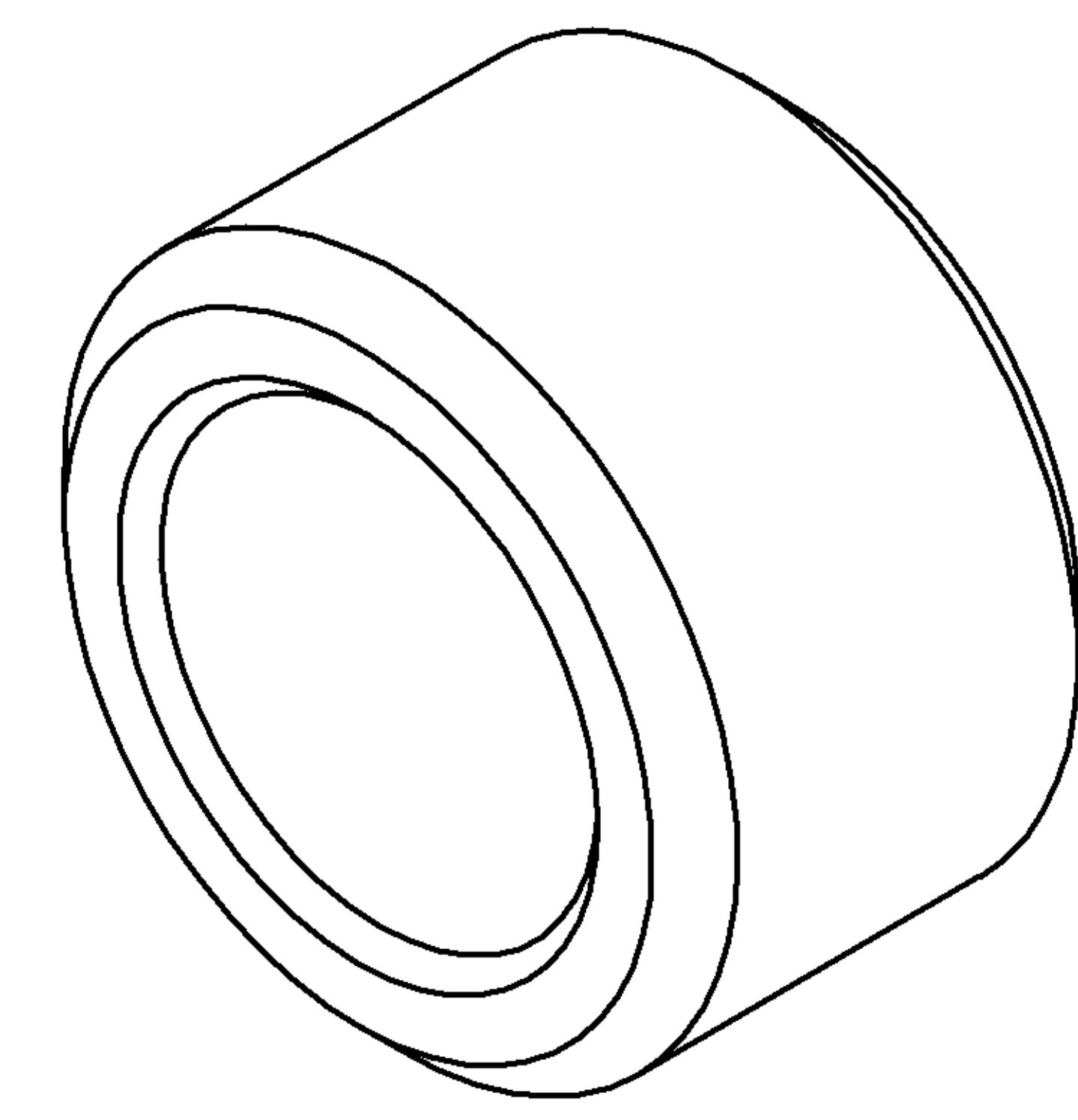
D

E

E

F

F



SECTION A-A

ISS.	C.R.No.	ZONE	AMENDMENTS	BY	DATE
0	-	-	NEW ISSUE	JN	26/10/06

GENERAL TOLERANCE UNLESS OTHERWISE STATED		PROT.	PROD.	SALES	IND. ENG	ITEM	PART No.	DRG No.	DESCRIPTION		QTY	
LINEAR DIMENSIONS ± 0.5mm				DO NOT SCALE		ADI SECURITY PRODUCTS			COLLAR 1			
ANGULAR DIMENSIONS ± 0.5				© ADI SECURITY PRODUCTS					DRAWN	J.NEAL	DATE	26.10.06
GEOMETRY TOLERANCING TO AS1100				THE DESIGN AND OTHER INFORMATION IS IMPARTED ONLY FOR THE PURPOSE FOR WHICH IT IS SUPPLIED. NO OTHER USE OR ANY REPRODUCTION, COPYING OR COMMUNICATION IS PERMITTED WITHOUT THE WRITTEN PERMISSION OF ADI SECURITY PRODUCTS.		CHECKED		QTY	1 OFF	SCALE	2:1	FCOL1 SHEET 1 OF 1 A2
						APPROVED		REF	SE18	NEXT ASSY		

1 2 3 4 5 6 7 8