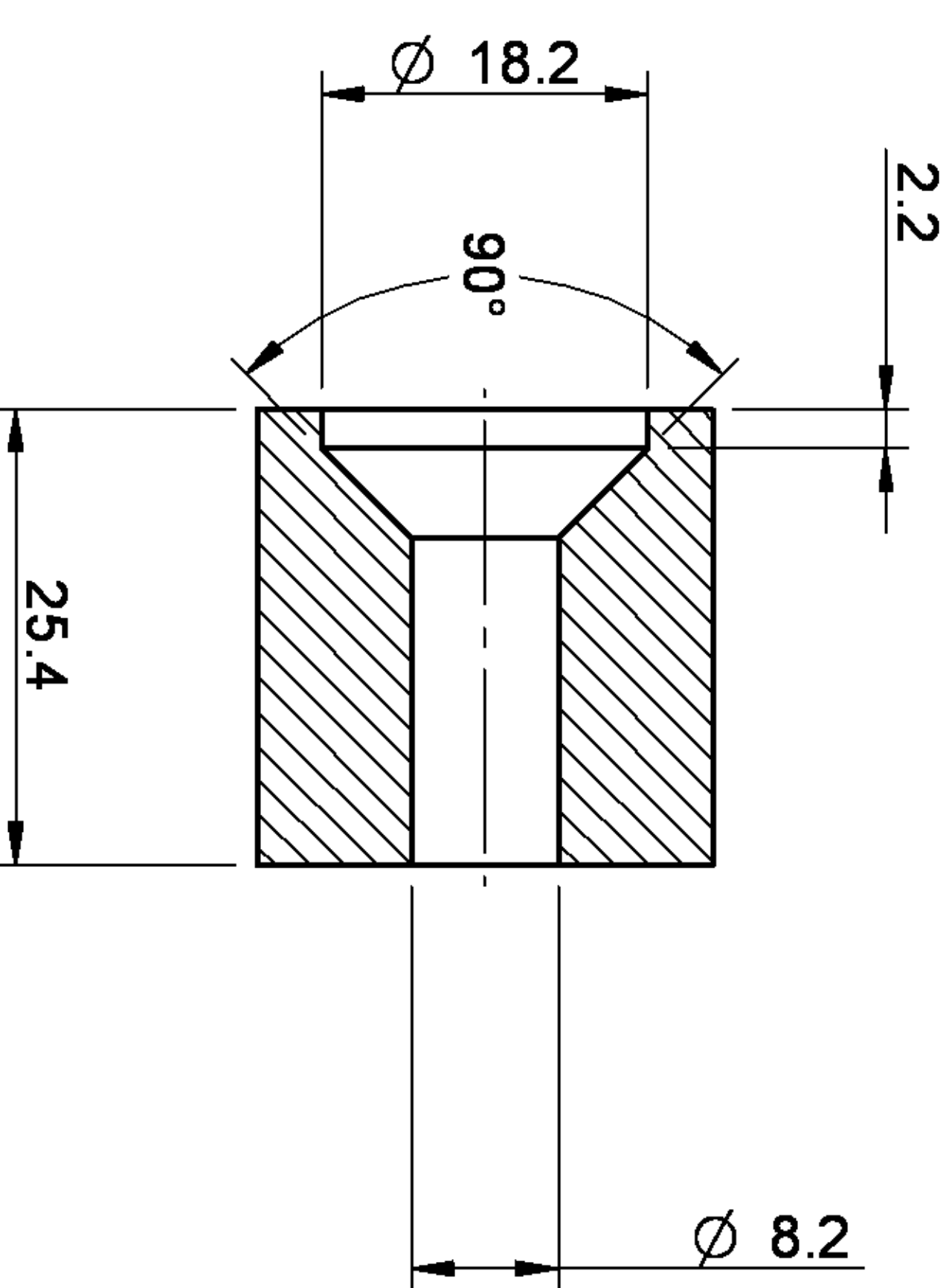
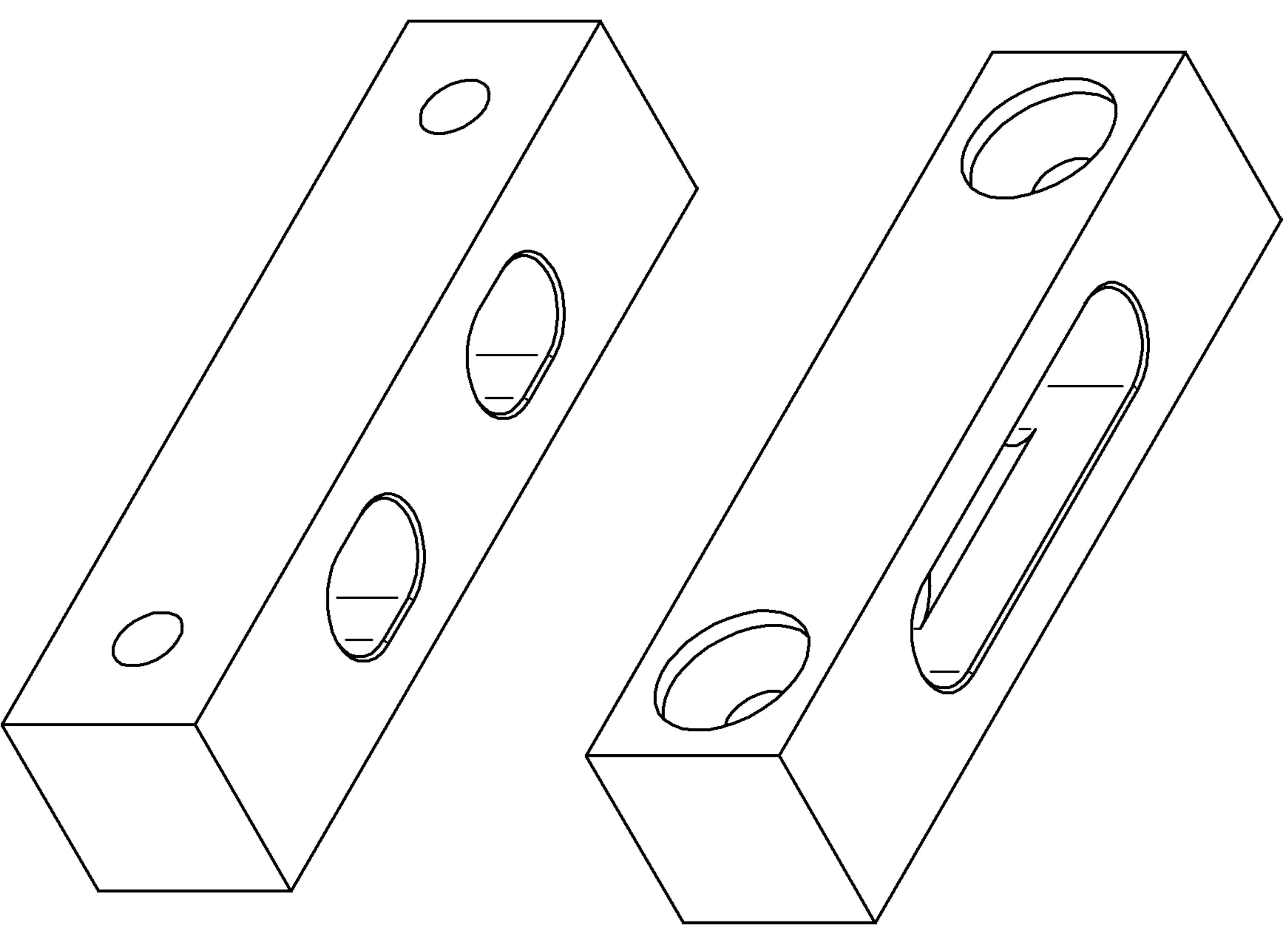
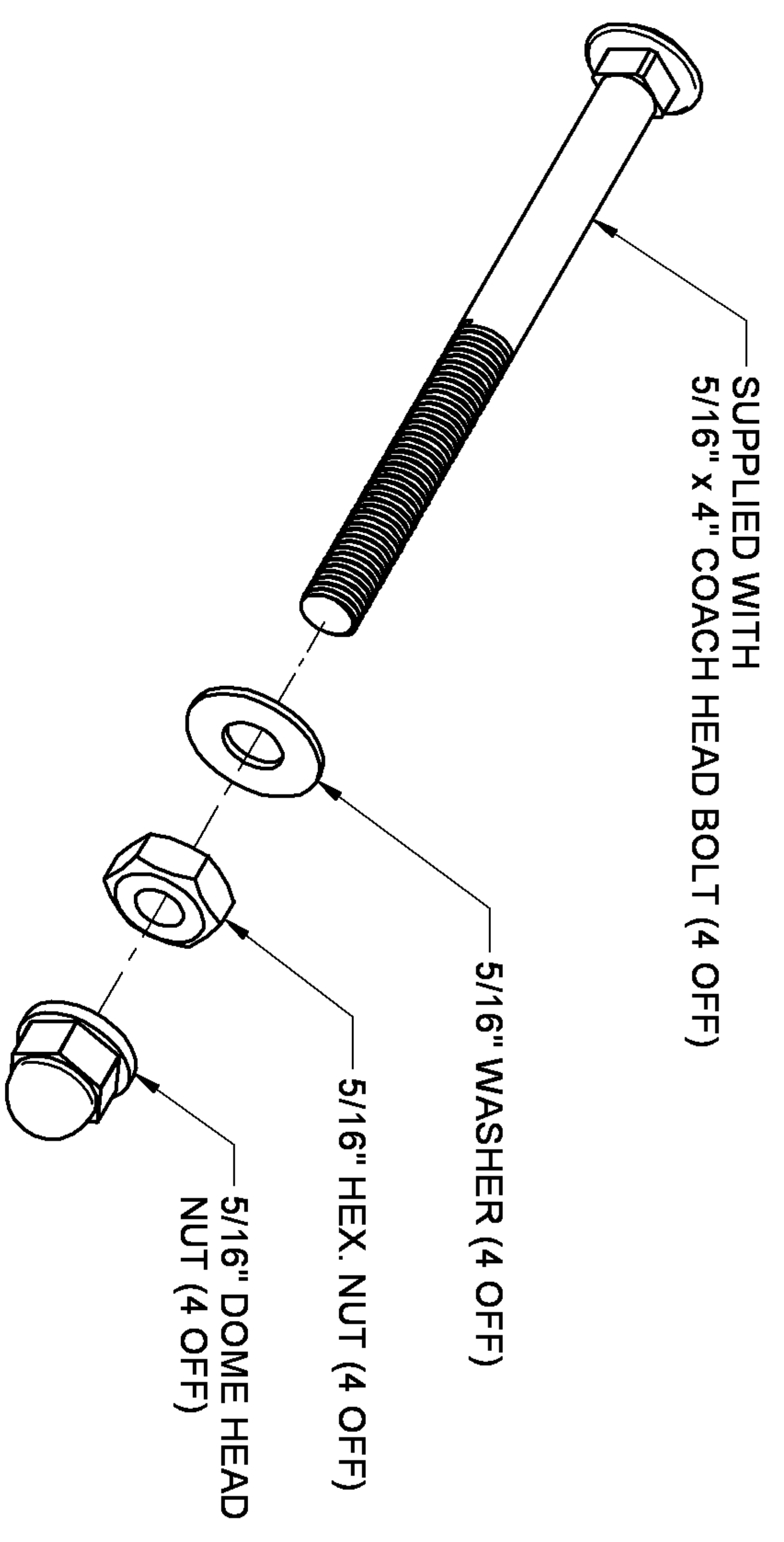


SECTION A-A



SECTION B-B



GENERAL TOLERANCE UNLESS OTHERWISE STATED	PROT.	PROD.	SALES	IND. ENG.
LINEAR DIMENSIONS ± 0.5mm				
ANGULAR DIMENSIONS ± 0.5°		DO NOT SCALE		

DIMENSIONS IN MILLIMETRES

ADJ SECURITY PRODUCTS  
 THE DESIGN AND OTHER INFORMATION IS IMPARTED ONLY FOR THE PURPOSE FOR WHICH IT IS SUPPLIED. NO OTHER USE OR ANY REPRODUCTION, COPYING OR COMMUNICATION IS PERMITTED WITHOUT THE WRITTEN PERMISSION OF ADJ SECURITY PRODUCTS.

ITEM	PART No.	DRG No.	DESCRIPTION	QTY
<p style="text-align: center;"><b>ADI</b> SECURITY PRODUCTS</p> <p style="text-align: center;"><b>CONCEALED SHACKLE HASP</b></p>				
DRAWN	JNEAL	DATE 18.10.06	MATERIAL AND FINISH	
CHECKED		QTY 1 OFF	SCALE	NTS
APPROVED		REF	SET 18	NEXT ASSY

ISS	0	C/R No.	-	ZONE	-	AMENDMENTS	NEW/ISSUE	JN	31/10/06	DATE
-----	---	---------	---	------	---	------------	-----------	----	----------	------